



US008753403B2

(12) **United States Patent**
Linares et al.

(10) **Patent No.:** **US 8,753,403 B2**
(45) **Date of Patent:** **Jun. 17, 2014**

(54) **MULTI-COMPONENT KNEE IMPLANT ASSEMBLY WITH COMBINED ARTICULATING AND BELT SUPPORT AND TRAVELING SURFACES**

(75) Inventors: **Miguel A. Linares**, Bloomfield Hills, MI (US); **Miguel A. Linares, Jr.**, Bloomfield Hills, MI (US)

(73) Assignee: **Linares Medical Devices, LLC**, Auburn Hills, MI (US)

(*) Notice: Subject to any disclaimer, the term of this patent is extended or adjusted under 35 U.S.C. 154(b) by 0 days.

2,821,979	A	2/1958	Cameron
3,694,820	A	10/1972	Scales et al.
3,815,157	A	6/1974	Skorecki et al.
3,973,277	A	8/1976	Semple et al.
4,040,131	A	8/1977	Gristina
4,045,825	A	9/1977	Stroot
4,483,023	A	11/1984	Hoffman, Jr. et al.
4,501,031	A	2/1985	McDaniel et al.
4,665,951	A	5/1987	Ellis et al.
4,693,723	A	9/1987	Gabard
4,744,793	A	5/1988	Parr et al.
4,778,473	A	10/1988	Matthews et al.
4,792,336	A	12/1988	Hlavacek et al.
4,828,562	A	5/1989	Kenna
4,840,630	A	6/1989	Kitamura
4,851,005	A	7/1989	Hunt et al.
4,883,486	A	11/1989	Kapadia et al.

(Continued)

(21) Appl. No.: **13/597,417**

(22) Filed: **Aug. 29, 2012**

(65) **Prior Publication Data**
US 2013/0053973 A1 Feb. 28, 2013

Related U.S. Application Data

(60) Provisional application No. 61/528,904, filed on Aug. 30, 2011.

(51) **Int. Cl.**
A61F 2/38 (2006.01)

(52) **U.S. Cl.**
USPC **623/20.21**; 623/20.3

(58) **Field of Classification Search**
USPC 623/20.21, 20.23, 20.28, 20.29
See application file for complete search history.

(56) **References Cited**

U.S. PATENT DOCUMENTS

1,051,444	A	1/1913	Pleister
2,314,445	A	3/1943	DuVall
2,667,644	A	2/1954	Johnson

FOREIGN PATENT DOCUMENTS

WO 9800076 A1 1/1998

Primary Examiner — Bruce E Snow

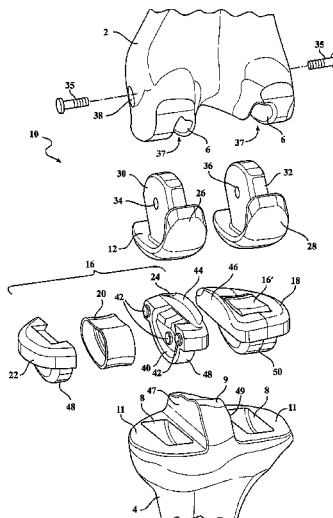
Assistant Examiner — Brian Dukert

(74) *Attorney, Agent, or Firm* — Gifford, Krass, Sprinkle, Anderson & Citkowski, P.C.; Douglas J. McEvoy

(57) **ABSTRACT**

A joint assembly incorporated into reconditioned end surfaces established between an upper bone and an opposing lower bone. The assembly includes a first component anchored into a first of the reconditioned bone end surfaces and exhibiting a first exposed support surface and a second component anchored into a second of the reconditioned bone end surfaces and exhibiting a second exposed support surface further including a flexible and conveyable closed loop belt relatively displaceable upon contact with the first support surface. Entrapment pockets can be formed within the implantable components and for collecting wear particles and debris from the belt and in order to extend the life of the joint assembly.

15 Claims, 4 Drawing Sheets



(56)

References Cited

U.S. PATENT DOCUMENTS

4,906,149	A	3/1990	Rockenfeller et al.	6,986,790	B2	1/2006	Ball et al.
5,004,474	A	4/1991	Fronk et al.	7,033,396	B2	4/2006	Tornier
5,078,745	A	1/1992	Rhenter et al.	7,044,983	B1	5/2006	Cheng et al.
5,171,325	A	12/1992	Aulie	7,056,340	B2	6/2006	McKernan et al.
5,263,984	A	11/1993	Li et al.	7,066,958	B2	6/2006	Ferree
5,282,867	A	2/1994	Mikhail	7,087,091	B1	8/2006	Chen et al.
5,376,119	A	12/1994	Zimmermann et al.	7,097,663	B1	8/2006	Nicol et al.
5,389,107	A	2/1995	Nassar et al.	7,101,398	B2	9/2006	Dooris et al.
5,417,693	A	5/1995	Sowden et al.	7,153,327	B1	12/2006	Metzger
5,462,563	A	10/1995	Shearer et al.	7,169,184	B2	1/2007	Dalla Pria
5,486,197	A	1/1996	Le et al.	7,175,663	B1	2/2007	Stone
5,507,819	A	4/1996	Wolf	7,175,666	B2	2/2007	Yao
5,514,183	A *	5/1996	Epstein et al. 623/20.23	7,189,261	B2	3/2007	Dews et al.
5,554,194	A	9/1996	Sanders	7,309,360	B2	12/2007	Tornier et al.
5,571,191	A	11/1996	Fitz	7,329,281	B2	2/2008	Hays et al.
5,575,819	A	11/1996	Amis et al.	7,331,995	B2	2/2008	Eisermann et al.
5,593,448	A	1/1997	Dong	7,445,638	B2	11/2008	Beguín et al.
5,609,647	A	3/1997	K alberer et al.	7,462,197	B2	12/2008	Tornier et al.
5,676,702	A	10/1997	Ratron et al.	7,465,319	B2	12/2008	Tornier
5,702,469	A	12/1997	Whipple et al.	7,510,558	B2	3/2009	Tallarida et al.
5,702,486	A	12/1997	Craig et al.	7,708,781	B2	5/2010	Scheker
5,707,395	A	1/1998	Li	2001/0051831	A1	12/2001	Subba Rao et al.
5,723,018	A	3/1998	Cyprien et al.	2002/0013627	A1	1/2002	Geistlich et al.
5,728,175	A	3/1998	Rincoe	2002/0143402	A1	10/2002	Steinberg
5,741,335	A	4/1998	Gerber et al.	2003/0130741	A1	7/2003	McMinn
5,800,566	A	9/1998	Gramnas et al.	2004/0024460	A1	2/2004	Ferree
5,879,404	A	3/1999	Bateman et al.	2004/0064187	A1	4/2004	Ball et al.
5,921,358	A	7/1999	Gramnas et al.	2004/0064188	A1	4/2004	Ball et al.
5,961,555	A	10/1999	Huebner	2004/0210317	A1	10/2004	Maroney et al.
6,001,106	A	12/1999	Ryan et al.	2004/0225370	A1	11/2004	Cruchet et al.
6,010,535	A	1/2000	Shah	2004/0267370	A1	12/2004	Ondrla
6,190,411	B1	2/2001	Lo et al.	2005/0081867	A1	4/2005	Murphy
6,193,758	B1	2/2001	Huebner	2005/0187620	A1	8/2005	Pai et al.
6,197,063	B1	3/2001	Dews	2005/0192674	A1	9/2005	Ferree
6,245,109	B1	6/2001	Mendes et al.	2005/0261775	A1	11/2005	Baum et al.
6,325,804	B1	12/2001	Wenstrom, Jr. et al.	2005/0278032	A1	12/2005	Tornier et al.
6,383,223	B1	5/2002	Baehler et al.	2006/0058886	A1	3/2006	Wozencroft
6,582,715	B1	6/2003	Barry et al.	2006/0074423	A1	4/2006	Alleyne et al.
6,620,197	B2	9/2003	Maroney et al.	2006/0111787	A1	5/2006	Bailie et al.
6,626,942	B1	9/2003	Edberg et al.	2006/0149370	A1	7/2006	Schmieding et al.
6,645,251	B2	11/2003	Salehi et al.	2007/0005074	A1	1/2007	Chudik
6,776,799	B2	8/2004	Ball et al.	2007/0005137	A1	1/2007	Kwak
6,790,234	B1	9/2004	Frankle	2007/0088442	A1	4/2007	Cima et al.
6,840,962	B1	1/2005	Vacanti et al.	2008/0234830	A1	9/2008	Hershberger et al.
6,939,379	B2	9/2005	Sklar	2009/0039164	A1	2/2009	Herwig et al.
				2009/0088865	A1	4/2009	Brehm
				2009/0292364	A1	11/2009	Linares

* cited by examiner

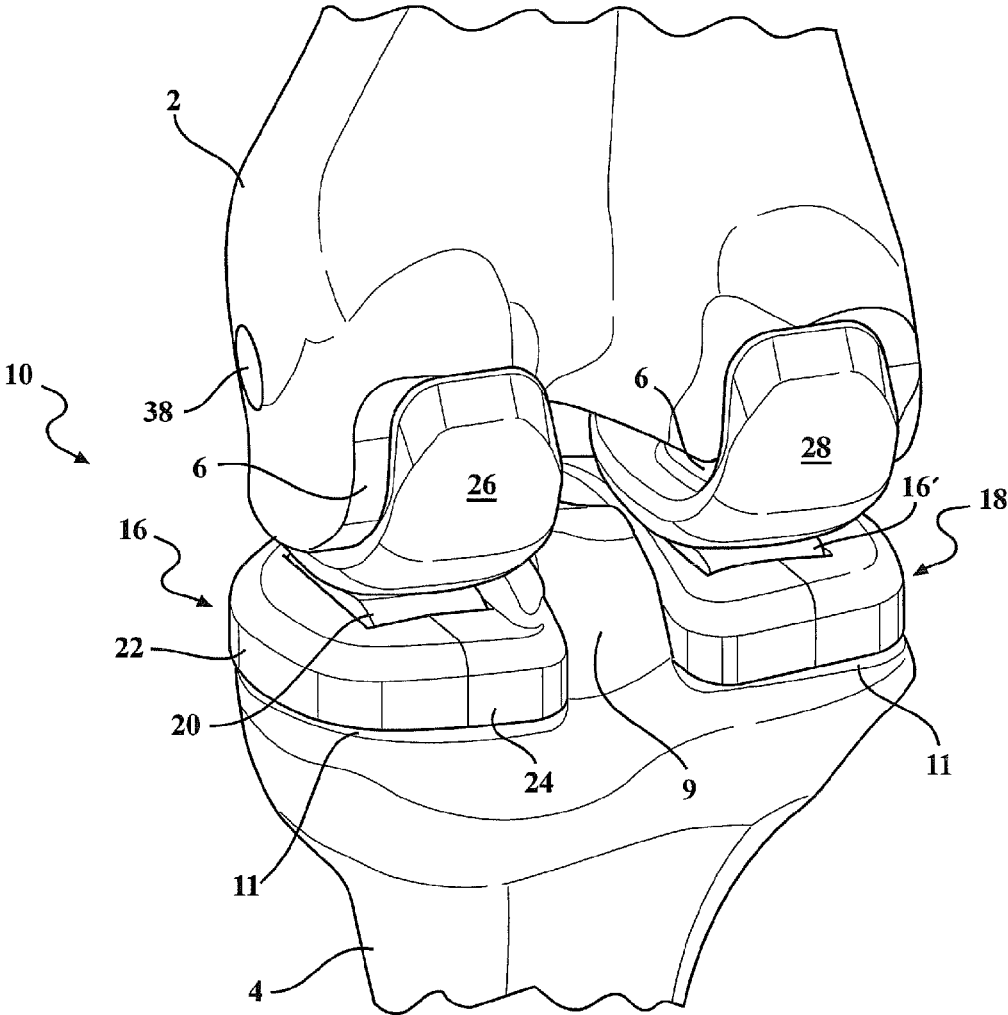


FIG. 1

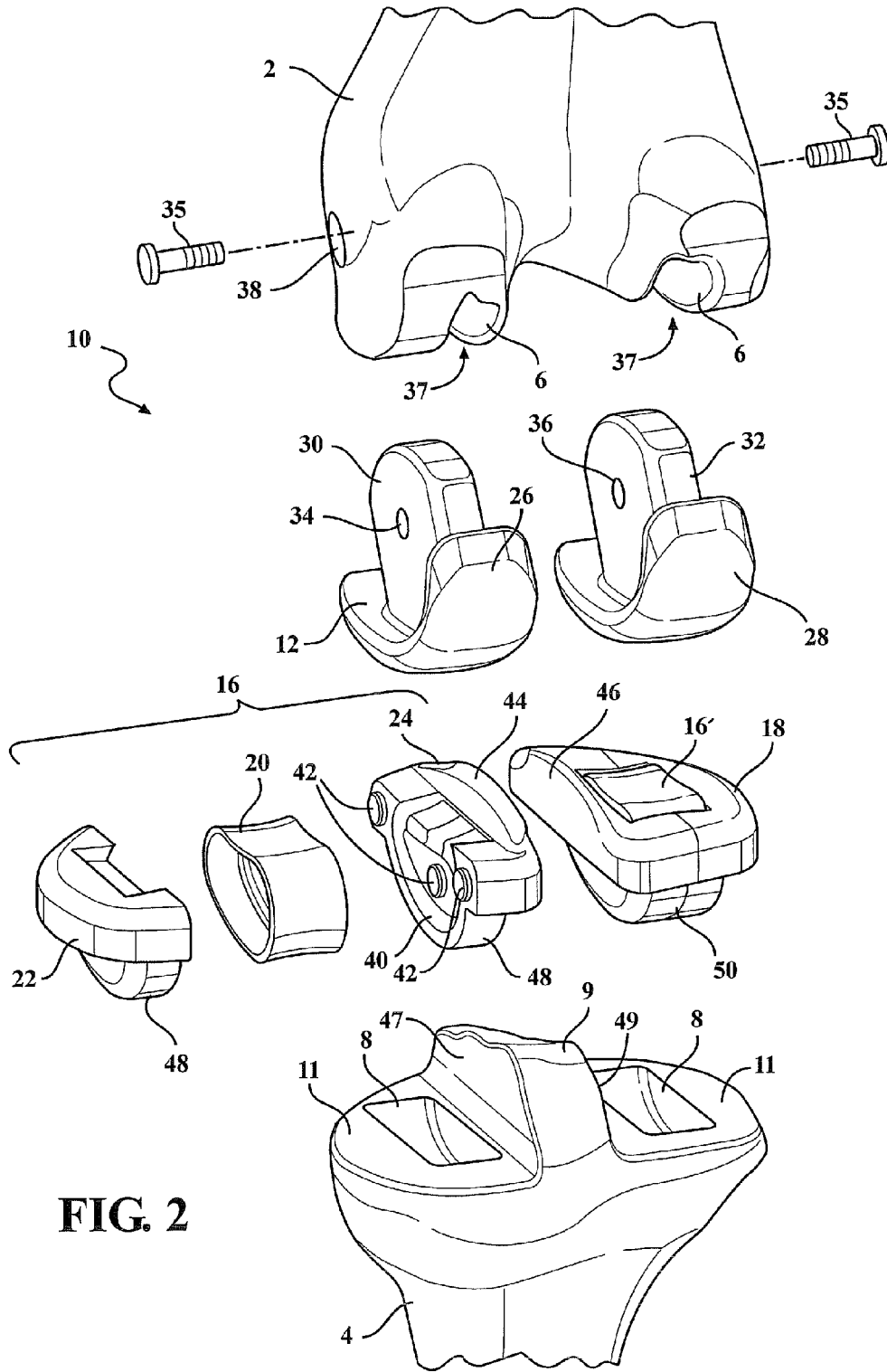


FIG. 2

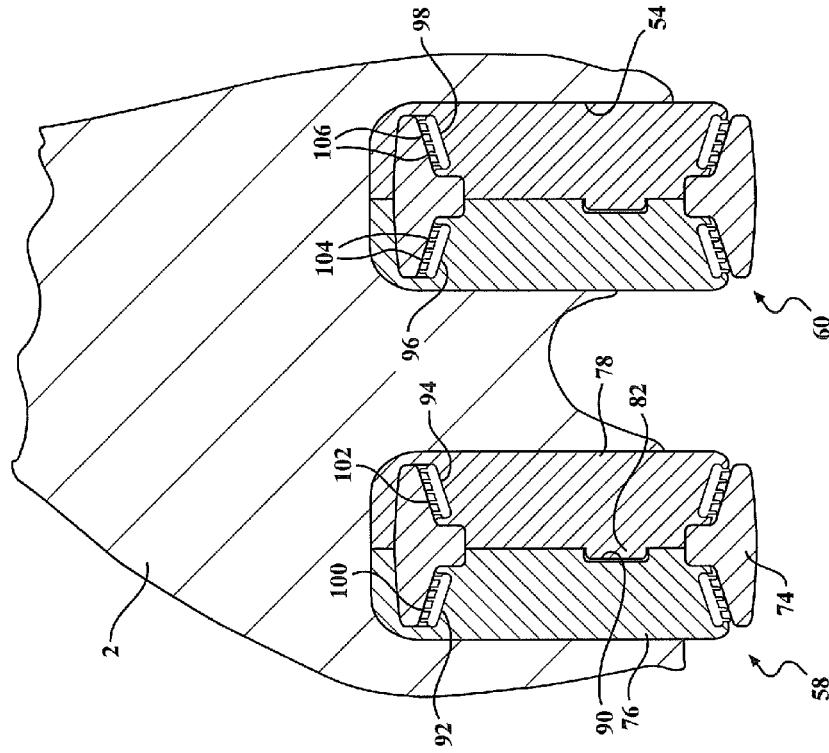


FIG. 5

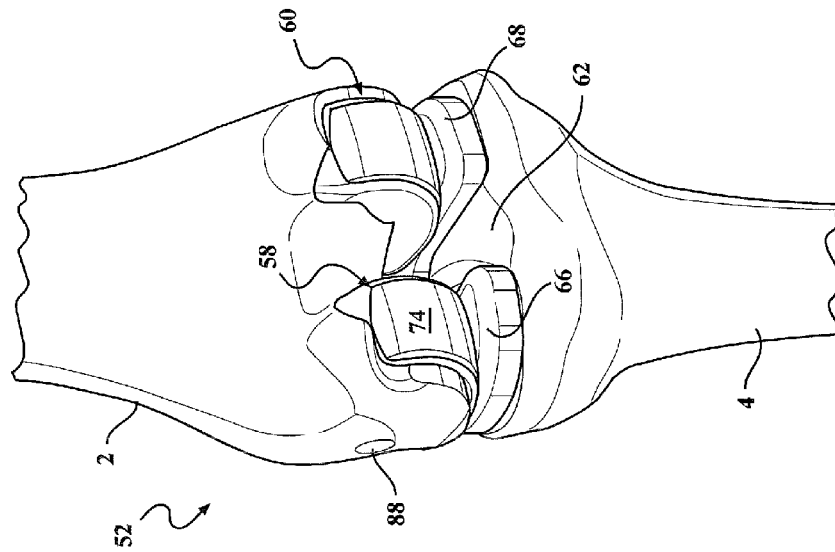


FIG. 3

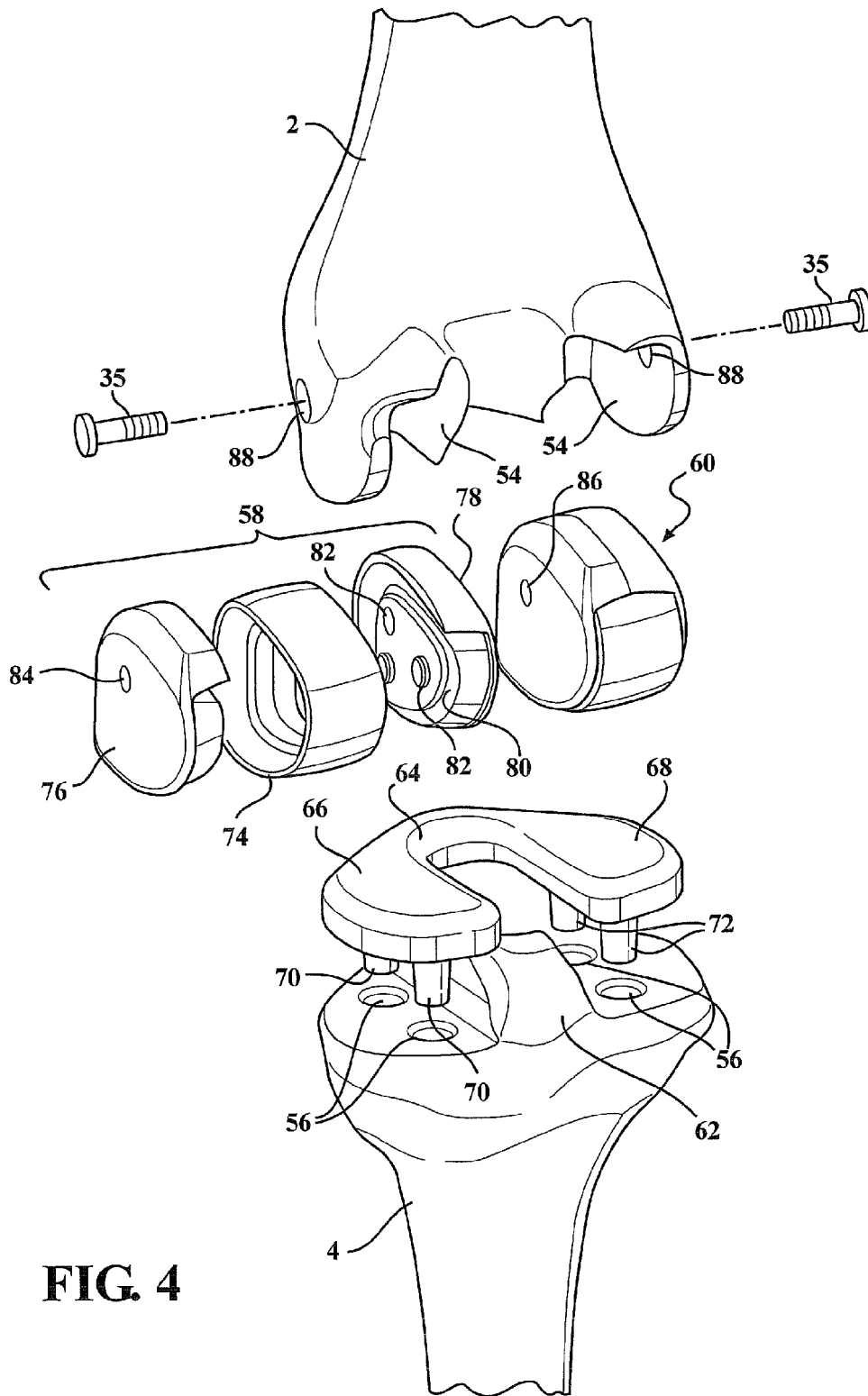


FIG. 4

1

**MULTI-COMPONENT KNEE IMPLANT
ASSEMBLY WITH COMBINED
ARTICULATING AND BELT SUPPORT AND
TRAVELING SURFACES**

CROSS REFERENCE TO RELATED
APPLICATIONS

The present application claims the priority of U.S. Ser. No. 61/528,904 filed Aug. 30, 2011.

BACKGROUND OF THE INVENTION

Field of the Invention

The present invention discloses an artificial joint assembly, such as is particularly configured for employing as a retrofit knee joint, and which combines pairs of end anchored artificial components incorporated into each of first and second reconditioned joint defining surfaces for providing increased wear life in tandem with evenly distributed wear pattern/profile as well as enhanced flexibility and mobility.

The prior art is well documented with examples of artificial knee implant assemblies. These include such as the spherical knee joint prosthesis of Bosredon, U.S. Pat. No. 6,117,175, the total knee implant of Byrd et al., US 2010/0191342 and the artificial implant component and method for securing disclosed in Elias, U.S. Pat. No. 5,480,443.

SUMMARY OF THE PRESENT INVENTION

The present invention discloses a joint assembly incorporated into reconditioned end surfaces established between an upper bone and an opposing lower bone. The assembly includes a first component anchored into a first of the reconditioned bone end surfaces and exhibiting a first exposed support surface and a second component anchored into a second of the reconditioned bone end surfaces and exhibiting a second exposed support surface further including a flexible and conveyable closed loop belt relatively displaceable upon contact with the first support surface.

At least one of the components may further exhibit an arcuate shaped support surface and can be constructed of at least one of a metal, plastic, polymer or composite material. In one desired arrangement, a first pair of components are arranged at a first side of said assembly affixed to reconditioned opposing surfaces associated with first and second knee joint defining bones, with a second identical pair arranged at an opposite second side. This can further include a 1/2 implant assembly associated with a selected side of the joint defining bones, and such as in combination with a natural remaining portion of the joint.

The second component may further incorporate a subassembly including a pair of side assembleable outer portions capturing the belt therebetween such that an upper portion of said belt is exposed for contacting said first component. Each of the side assembleable outer portions further includes opposing and mating receiving channels for supported the belt in conveyable fashion therebetween. The side assembleable outer portions each may also include aligning tab and slot portions for inter-assembling about the belt.

BRIEF DESCRIPTION OF THE DRAWINGS

Reference will now be made to the attached drawings, when read in combination with the following detailed

2

description, wherein like reference numerals refer to like parts throughout the several views, and in which:

FIG. 1 is a perspective view of a knee implant assembly according to a first embodiment of the invention;

FIG. 2 is an exploded view of the multi-component assembly of FIG. 1 and better illustrating the reconditioned end-configurations established between the upper femur and lower tibia leg bones combined with the pairs of upper bone secured arcuate portions and lower bone secured conveyor belt and supporting portions, a selected one of which is further depicted in subassembly exploded fashion to better illustrate the configuration of the inner conveying belt and outer side assembleable body portions;

FIG. 3 is an illustration of a knee implant assembly according to a further preferred variant;

FIG. 4 is an exploded view of the assembly of FIG. 3 and better illustrating the further reconditioned end-configurations established between the upper femur and lower tibia leg bones combined with the pairs of upper bone secured conveyor belt and supporting portions combined with the lower bone secured platform support for receiving the exposed conveyor belt portions; and

FIG. 5 is a plan cutaway of such as the upper bone in FIG. 3 and better illustrating the three piece construction of the side by side arranged pair of conveyor belt and support portions and including debris entrapment pockets defined in surface locations of the mating support portions arranged on an underside of the intermediate supported conveyor belt.

DETAILED DESCRIPTION OF THE PREFERRED
EMBODIMENTS

As will be disclosed with succeeding reference to the several depicted embodiments, the present invention discloses an artificial joint assembly, such as is particularly configured for employing as a retrofit knee joint, and which combines respective upper and lower pairs of artificial components incorporated into first and second reconditioned joint defining surfaces, such as for providing increased wear life along with both enhanced flexibility and mobility.

The joint assemblies described herein are particularly configured for such as in situ reconditioned installation within a patient's knee assembly (between the lower end of the upper femur bone and corresponding upper end of the lower tibia bone), however it is further understood that certain applications could in theory include other joint applications, either human or other mammalian. For purposes of ease and clarity of illustration, the various embodiments depicted further do not include reference to additional necessary components of the knee joints, such as including the patella (knee cap) and associated muscles, tendons and ligaments, the inclusion of which are assumed and which collectively define a functioning knee joint.

Referring now to FIG. 1, a perspective view is generally shown at 10 of a knee implant assembly according to a first embodiment of the invention and which is incorporated between an upper leg (femur) bone 2 and a lower leg (tibia) bone 4 (and with which an associated fibula bone is also not depicted). The present invention contemplates such as in situ reconditioning of the bone ends, illustrated by conditioned end profiles 6 configured into the bottom most end surface of the femur 2, as well as opposing upper end facing and recessed profiles 8 defined in the upper most end of tibia 4 with additional bridging location 9 defined between the substantially hemispherical shaped recessed profiles 8.

As best shown in FIG. 2, the recesses 8 are depicted by a spaced apart pair of generally three dimensional semi-circu-

3

lar profiles each including an arcuate recessed profile bounded along opposites sides by planar parallel spaced end walls as shown and which are established at right and left sides of the joint zone. The recessed profiles **8** are defined in reconditioned flat surfaces **11** which are separated by the intermediate bridging location **9**.

Such reconditioning occurs following incision or removal of any remaining damaged bone and/or cartilage associated with the damaged joint and during an appropriate surgical procedure utilizing medical drilling, boring and shaping instruments in order to recondition the joint defining bone ends and to create the desired shaping and profile of the joint. As previously indicated, it is advantageous to refashion the joint end profiles in situ during an appropriate surgical procedure, a further objective being to retain or repair, where possible, natural ligament, cartilage and muscle associated with a normal functioning joint.

Although not shown, such reconditioning can be employed with minimal interference to such necessary additional elements of the joint including each of the patella or knee cap, ligaments, muscles and tendons. Without limitation, it is further understood that the joint assemblies described in each of the illustrated variants can be integrated into either of human or synthetic bones (such as which can also contemplate both human and synthetic bones in a single joint application), with such joint assemblies also capable of surgically implanted in either total (or paired) or partial (one side or one half of the joint) manner concurrent with any necessary degree of refashioning or removal of damaged bone or joint.

Referring to FIG. **1** again in collaboration with exploded view of FIG. **2**, the multi-component assembly **10** better illustrates the reconditioned end-configurations **6** and **8** established between the upper femur **2** and lower tibia **4** leg bones, combined with each of a pair of upper bone secured arcuate (or track) portions **12** and **14** and lower bone secured and conveyor belt integrated subassemblies **16** and **18**. A selected subassembly **16** is further depicted in subassembly exploded fashion to better illustrate the configuration of an inner conveying belt **20** and outer side assembleable body portions **22** and **24**, with corresponding subassembly **18** depicted in assembled fashion but being identical in construction.

Each of the components **12-18** are constructed of any arrangement of metal, polymer, plastic, composite or other suitable material, with it further being understood that the individual pairs of components can be arrayed with any pattern of alternating materials. In this fashion, the desired wear properties and profiles are adjusted in part based upon the material selection of the individual components with concurrent objectives being both equalization of overall wear patterns established between the respective pairs of components and determining those situations in which metal on metal or plastic on plastic contact between the components is either desired or, more often, not.

Both the upper bone secured arcuate (or track) portions **12** and **14** and lower bone belt supporting subassemblies **16** and **18** are anchored in seating fashion within the inner recessed profiles **6** and **8** of the femur **2** and tibia **4** bones, respectively, by use of a suitable medical cement (it further being understood that suitable bone adhesion can also be assisted or promoted by inner marrow in given circumstances). The upper track portions **12** and **14** each exhibit an arcuate exposed surface (see at **26** and **28** in FIG. **2**), with inner (reverse side) extending stems **30** and **32** being recess mounting within the mating recess configurations **6** defined in the joint end defining face of the upper femur bone **2**.

Width extending apertures **34** and **36** are further defined in the stems **30** and **32** and can also receive like widthwise

4

inserting pins **35**, upon installation of the track portions as depicted by arrows **37**. The pins **35** extend through mating and aligning apertures formed widthwise through the femur bone **2** (see further at **38**) to further affix the track portions **12** and **14** within the joint end defined surface in the femur bone **2**.

The lower bone secured belt conveyor and support subassemblies **16** and **18** each further exhibit an inner flexible and closed looped band (see again selected band shaped belt **20** depicted in exploded fashion with respect to exploded subassembly **16** with an identical such band **16'** depicted for corresponding assembled subassembly **18**). The outer assembleable portions **22** and **24** (typically a harder plastic as opposed to the inter-disposed flexible band **20**) each exhibit opposing receiving channels (see as shown at **40** for selected assembleable side portion **24** with opposing and mating receiving channel for portion **22** being hidden from view) and are inter-assembled with the band **20** supported therebetween in conveyable fashion therebetween.

Opposing pairs of tab and slot or other suitable fasteners are provided on inside faces of the outer support portions **22** and **24** (see as further depicted at **42** disposed upon inside facing surface of side portion **24**, with mating receiving locations in opposing support portion **22** again hidden from view). Additional projecting edge locations **44** and **46** are defined on opposing inner surfaces of the support subassemblies and abut against configured sides **47** and **49** (again FIG. **2**) of the bridging location **9** of the refashioned end surface of the lower tibia **4** combined with additional bottom convex surfaces **48** and **50** seating within the afore-described mating recessed profiles **8** associated with the refashioned tibia end face.

In this fashion, the path of travel of the upper portion arcuate exposed surfaces **26** and **28** causes the belts **20** to be fairly easily displaced along the tracks defined between the side assembleable supports **22** and **24** and in such a fashion that ease of bending motion is achieved for the joint assembly. As again previously indicated, additional configurations of muscles, ligaments, tendons and patella (knee cap) are provided and can include both natural and/or synthetic materials which can be implanted or reconstructed in order to provide a dynamic and long-term implantable assembly.

Proceeding to FIGS. **3-5** in succession, respective perspective, exploded and plan cutaway views are provided of knee implant assembly according to a further preferred variant and as generally depicted at **52**. As best shown in FIG. **4**, a different set of reconditioned and recess configured profiles are fashioned within the joint end faces of the femur **2** and tibia **4**, and are defined respectively at **54** and **56**, respectively and in comparison to the configuration of the corresponding profiles **6** and **8** in FIG. **2**.

The upper recess profiles **54** each exhibit a substantially three dimensional shaped cavity for receiving a pair of individual shaped bodies including upper conveyor and lateral assembleable supporting portions (see as defined by individual exploded subassembly **58** and further assembled subassembly **60**). The lower recess profiles **56** each define a pair of inwardly recessed holes exhibited on sides of a generally planar shaped refashioned end face of the lower tibia bone, with the refashioned projecting bridging portion established therebetween at **62**.

A one piece support platform **64** exhibits a modified U shape with a narrow intermediate bridging location and widened side ear or lobe surfaces **66** and **68**. Additional pairs of extending posts **70** and **72** are integrally disposed with integrally defined and underside projecting locations of the platform **64** and such that the posts are anchored (cemented) into

5

the bone end surface refashioned recesses **56** in a manner which permits the platform **64** to be secured thereupon, such as further depicted in FIG. **3**.

The construction of the belt conveyor and side assembled support subassemblies **58** and **60** is largely the same as previously referenced as to corresponding subassemblies **16** and **18** in FIG. **2**, with the exception that the belt and support assemblies are anchored within an underside of the upper femur bone **2** as opposed to the upper joint defining face of the lower tibia bone **4** as in FIGS. **1** and **2**. Similar to the first preferred embodiment, and referring to selected exploded subassembly **58** in FIG. **4**, a flexible and band shaped loop or belt **74** is configured for mounting within opposed assembling inner facing surfaces of outer assembleable supports **76** and **78**, each of which again further defining inner receiving channels or guides (see at **80** for selected side support **78**).

Additional tab and slot assembly locations, see as depicted by tabs **82** defined in exposed and selected side support **78** (with again mating slots associated with opposing face of support **76** hidden from view but depicted in reference to cutaway FIG. **5**), and which facilitate inter-assembly of the side supports **76** and **78** in order to establish the three dimensional assembly further depicted by selected subassembly **60**. To facilitate mounting, apertures **84** and **86** defined in widthwise extending fashion through the assembled subassemblies **58** and **50** align, upon installation of the subassemblies into the recessed end configurations **54** of the femur **2**, with a further widthwise extending aperture **88**, such as again for receiving a pin or the like (such as again depicted at **35**) for further assisting in anchoring the displaceable belt supporting subassemblies **58** and **60** into position.

Referring finally to FIG. **5**, a plan cutaway is shown of such as the upper femur bone **2** in FIG. **3** and better illustrating the three piece construction of the side by side arranged pair of conveyor belt and support portion subassemblies **58** and **60**. The inter-engaging nature of the subassembly component halves, such as at **76** and **78**, is better depicted in FIG. **5** and which illustrates receiving slots (see at **90**) associated with selected side assembleable portion **76** (the inner facing side of which is hidden in FIG. **4**) for receiving a selected and aligning tab **82**.

Of particular note in FIG. **5**, each of the subassemblies **58** and **60** include circumferential disposed pairs of debris entrapment pockets which are defined along inside surface locations of the side assembleable and mating support portions and such that the entrapment chambers or pockets are arranged along undersides of the intermediate supported and displaceable conveyor belts/bands. These are particularly shown at **92** and **94** arranged along inner sides of the flexible band **74** associated with belt conveyor subassembly **58** and further at **96** and **98** arranged along corresponding inner sides of the flexible band associated with the other belt conveyor subassembly **60**.

Each of the entrapment pockets or chambers further include narrowed communicating locations **100**, **102**, **104** and **106** in relation to associated entrapment chambers **92**, **94**, **96** and **98** in contact with the inner displacing surfaces of the flexible bands (e.g. again as shown by example at **74**) and which lead to an enlarged collecting reservoir for securely holding micron sized debris resulting from progress wear profiles along the joint assembly, and in particular wearing away of the translating belts over time. In this fashion, long term functionality is achievable for the joint assembly and without permitting the accumulating debris to otherwise compromise the functionality of the joint.

As previously explained, additional variants of the joint assemblies contemplate a first side or half being recondi-

6

tioned in the manner depicted herein, with a further side or unreconstructed half retaining its original joint defining structure and which, to the extent possible, is unaffected by the reconditioning performed to the implanted half of the joint assembly.

Having described my invention, other and additional preferred embodiments will become apparent to those skilled in the art to which it pertains, and without deviating from the scope of the appended claims.

We claim:

1. A joint assembly incorporated into reconditioned end surfaces established between an upper bone and an opposing lower bone, said assembly comprising:

a first component anchored into a first of the reconditioned bone end surfaces and exhibiting a first exposed support surface;

a second component anchored into a second of the reconditioned bone end surfaces and exhibiting a second exposed support surface; and

said second exposed support surface further including a flexible and conveyable closed loop belt relatively displaceable upon contact with said first support surface, said second component further including a pair of side assembleable outer portions capturing said belt therebetween such that an upper portion of said belt is exposed for contacting said first exposed support surface of said first component.

2. The joint assembly as described in claim **1**, at least one of said components further exhibiting an arcuate shaped support surface.

3. The joint assembly as described in claim **1**, each of said first and second components further being constructed of at least one of a metal, plastic, polymer or composite material.

4. The joint assembly as described in claim **1**, further comprising a first pair of components arranged at a first side of said assembly, a second identical pair arranged at an opposite second side.

5. The joint assembly as described in claim **4**, each of said pair of components further comprising any of anterior and posterior, distal and proximate or medial and lateral components associated with a selected side of said joint defining bones.

6. The joint assembly as described in claim **1**, each of said side assembleable outer portions further comprising opposing and mating receiving channels for supported said belt in conveyable fashion therebetween.

7. The joint assembly as described in claim **1**, said side assembleable outer portions each further comprising aligning tab and slot portions for inter-assembling about said belt.

8. The joint assembly as described in claim **1**, further comprising circumferential disposed and extending debris entrapment pockets defined along inside surface locations of said side assembleable outer portions and in communication with inner translating surfaces of said belts, narrowed locations communicating said belts with said entrapment pockets for collecting and holding micron sized debris resulting from progressive wearing of said belts.

9. A joint assembly incorporated into reconditioned end surfaces established between an upper bone and an opposing lower bone, said assembly comprising:

a first pair of components arranged at a first side of said assembly and a second identical pair arranged at an opposite second side;

a first selected component associated with each of said pairs of components anchored into a first of the reconditioned bone end surfaces and exhibiting a first exposed support surface; and

7

a second selected component associated with each of said pairs of components anchored into a second of the reconditioned bone end surfaces and exhibiting a second exposed support surface; and

said second exposed support surface further including a flexible and conveyable closed loop belt relatively displaceable upon contact with said first support surface, said second selected component further including a pair of side assembleable outer portions capturing said belt therebetween such that an upper portion of said belt is exposed for contacting said first exposed support surface of said first selected component.

10. The joint assembly as described in claim 9, at least one of said components further exhibiting an arcuate shaped support surface.

11. The joint assembly as described in claim 9, each of said first and second components further being constructed of at least one of a metal, plastic, polymer or composite material.

12. The joint assembly as described in claim 9, each of said pair of components further comprising any of anterior and

8

posterior, distal and proximate or medial and lateral components associated with a selected side of said joint defining bones.

13. The joint assembly as described in claim 9, each of said side assembleable outer portions further comprising opposing and mating receiving channels for supported said belt in conveyable fashion therebetween.

14. The joint assembly as described in claim 9, said side assembleable outer portions each further comprising aligning tab and slot portions for inter-assembling about said belt.

15. The joint assembly as described in claim 9, further comprising circumferential disposed and extending debris entrapment pockets defined along inside surface locations of said side assembleable outer portions and in communication with inner translating surfaces of said belts, narrowed locations communicating said belts with said entrapment pockets for collecting and holding micron sized debris resulting from progressive wearing of said belts.

* * * * *